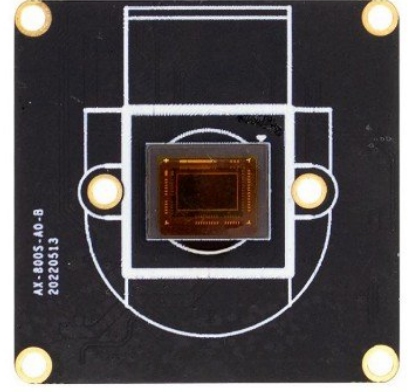
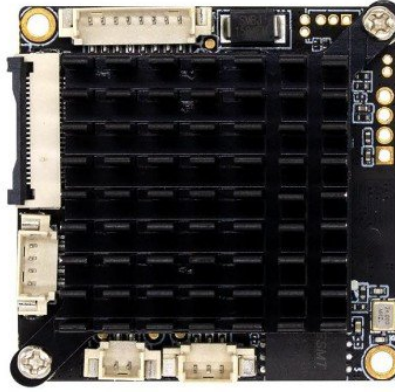


## A8-D Specification



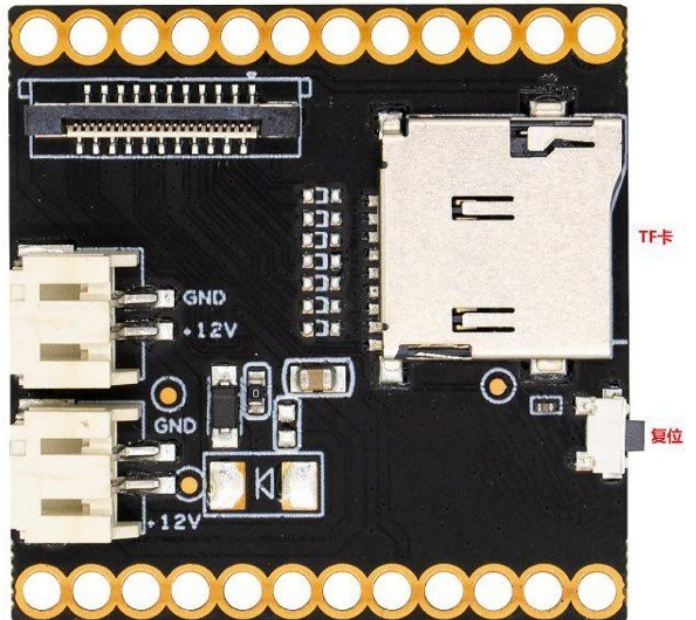
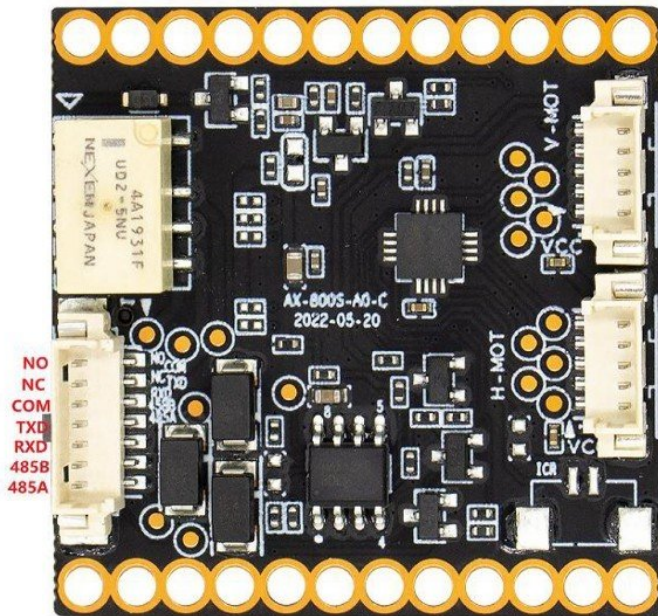
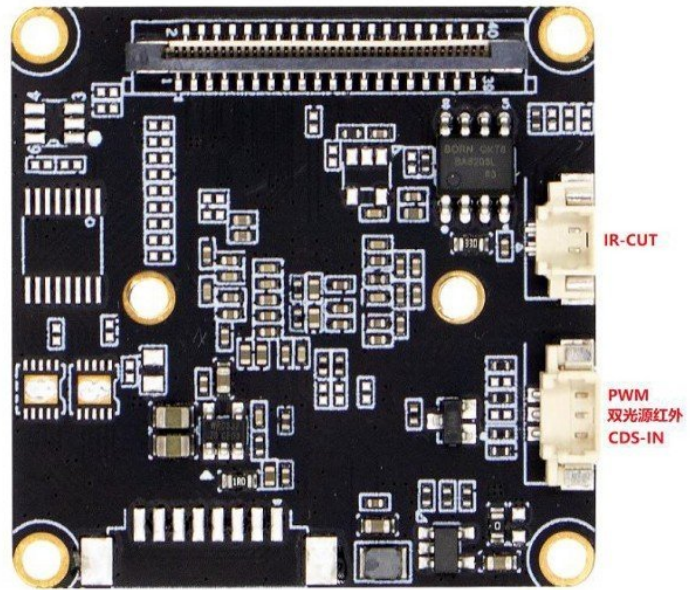
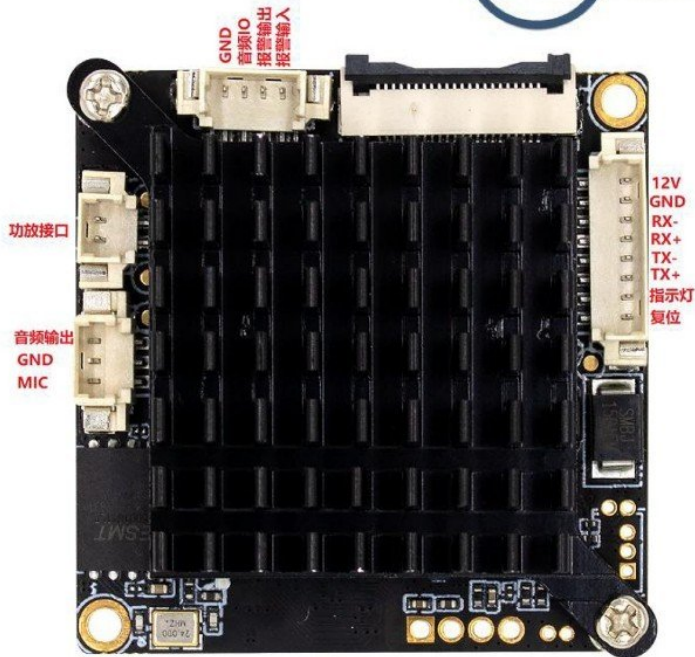
### Product technical features

1. 1/2.8" 4K HD Sensor; AI ISP bonus ultra-clear low-light night vision;
2. Support H264, H.265 encoding format  
Main stream: 4K(3840\*2160)/5MP(2880\*1616)/4MP(2560\*1440)/3MP(2304\*1296)/2MP(1920\*1080);  
Sub-stream one: 720P(1280\*720)/448P(800\*448)/D1(704\*576)/360P(640\*360);
3. Support alarm input and output;
4. Support TF card, support 512G TF card;
5. Support humanoid detection function, expand a variety of AI: electronic fence, cross-border detection, off-the-post detection, passenger flow statistics;
6. Support video occlusion alarm;
7. Support FTP function;
8. Support wide dynamic, 3D noise reduction, backlight compensation, white balance, suitable for different monitoring environments;
9. Support ONVIF protocol, can access third-party NVR;
10. Support screen occlusion, can cover the private area;
11. Support OSD character overlay function, support network timing;
12. Support audio input and output, audio and video synchronization, support intercom function;
13. Support a variety of light board types, can support hard photosensitive and soft light sensitive light board;
14. Support automatic maintenance function;
15. Support mobile phone remote monitoring (iOS, android), support computer remote monitoring;

Image	
Wide Dynamics	wide dynamics are supported
Privacy occlusion	support
Mirroring	Supports mirroring settings
OSD	supports OSD settings and OSD dragging
AI Function	
Humanoid detection	Support humanoid detection function, can detect humanoid shape for intelligent alarm. AI algorithms based on humanoid extension: electronic fence, cross-border detection, off-the-post detection, passenger flow statistics

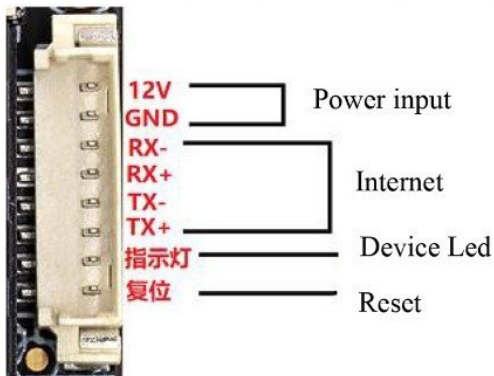
Voice broadcast	Supports voice broadcast after detecting humanoid form.
Light alarm	Supports linkage light alarm after detecting humanoid form.
Video occlusion	Support video occlusion alarm
<b>Video</b>	
Compress	H.264, H.265
Resolution	Main stream: 4K(3840*2160)/5MP(2880*1616)/4MP(2560*1440)/ 3MP(2304*1296)/2MP(1920*1080)
	Subcode stream: 720P(1280*720)/448P(800*448)/D1(704*576) /360P(640*360)
Video frame rate	4K 20FPS, 5MP 30FPS, 4MP30FPS
<b>Internet</b>	
Ethernet	RJ-45 10M/100M adaptive
Protocol	ONVIF, P2P, CGI, HTTP, TCP/IP, IPv4, RTSP, UDP, NTP, DHCP, DNS, FTP, IP Filter.
Access protocol	ONVIF protocol/Private protocol/CGI
Client	IOS, Android, Windows
<b>Interface function</b>	
Audio	Support audio input audio output, support power amplifier function; Support G711U, G711A encoding formats
Alarm	Support alarm input, alarm output function
Reset	Support reset function
Storage	Support TF card function, up to 512G support
<b>General Specification</b>	
Size	Mainboard 38x38mm, sensor board 38*38mm, Expansion board 38*38mm
Work environment	-30°C~+80°C
Power	DC12V 2A

## Wiring Diagram



## Interface connection

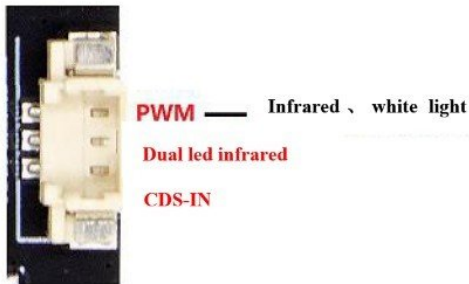
### 1. Power interface and network interface



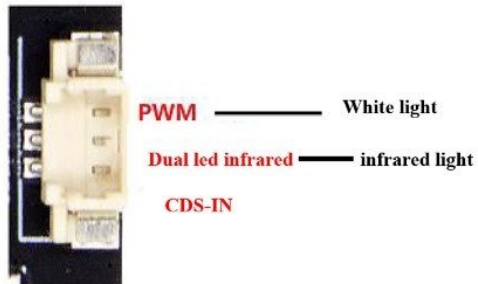
Reset: External reset button, and GND short for 10 seconds the software will restore factory settings.

## 2. Light board control interface

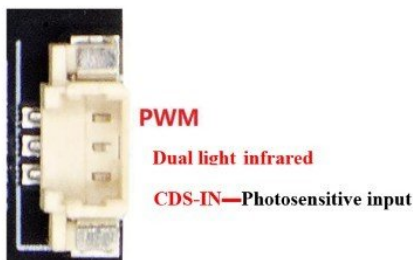
Soft photosensitive single light plate



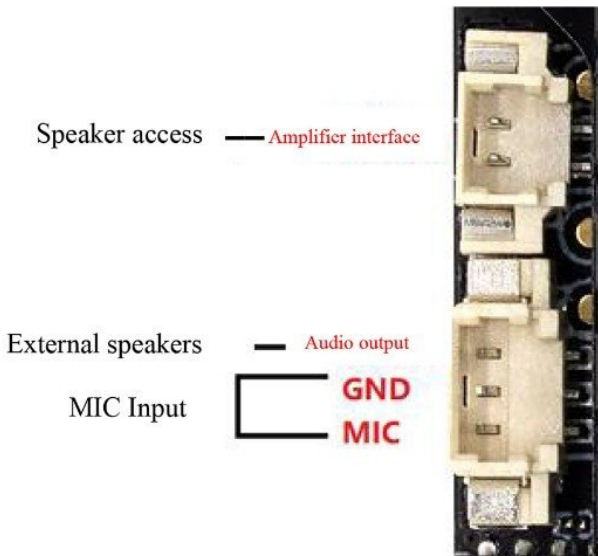
Soft photosensitive dual-light plate



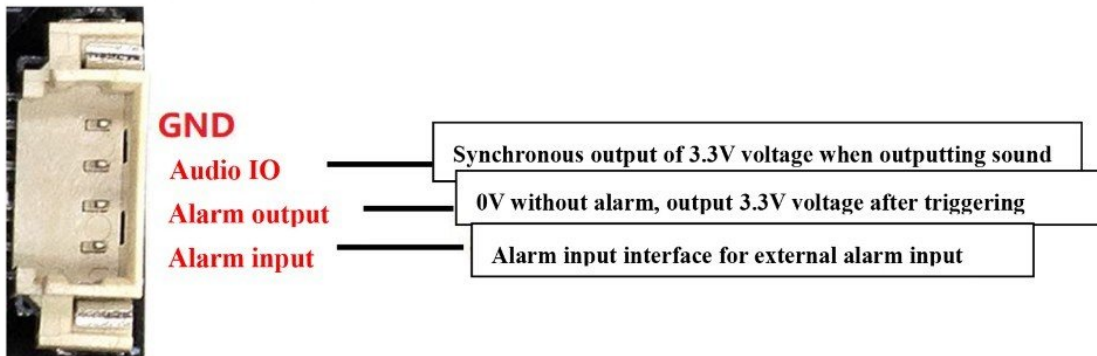
Ordinary infrared light plate



## 3. Audio input, output



## 4. Alarm input and output, audio IO



Audio amplifier control IO: Output 0V when the device has no sound, and 3.3V when there is sound. Used to open the amplifier switch.

Alarm output pin: humanoid and other alarm functions can be associated with alarm output, 0V voltage when there is no alarm, and 3.3V output when there is an alarm.

## Other matters

The content in this document is for the guidance of the user only, and the company will regularly improve and update the software functions described in the document according to the enhancements or changes in the product functions, and the updated content will be reflected in the new version without notice.

Pay attention to heat dissipation problems when installing the whole machine, especially the shell of the plastic small structure;

Ordinary machine accessories: shell, light board, module; POE machine accessories: shell, light board, module, POE module;

Among them, in addition to the module's own temperature, the lamp board and the POE module are also larger heat sources; The lamp board accounts for 60%-80% of the power consumption of the whole machine is the largest heat source, if coupled with the built-in POE to further squeeze the internal space and also block the internal heat dissipation.

In addition to causing more obvious heat dryness problems, there will also be internal connection line peeling and other conditions that further lead to problems such as crashes and dropped wires, affecting the life of the entire equipment.

The improvement of heat dissipation can strengthen the heat dissipation of the shell, reduce the power consumption of the lamp board, and use external POE and other methods.